

EMERGENCY

SOLIDSTATE LIGHTING



ADDRESS

IMPROVE

COMPLY

“Making Perfect Sense Of Safety”

What are LEMs?

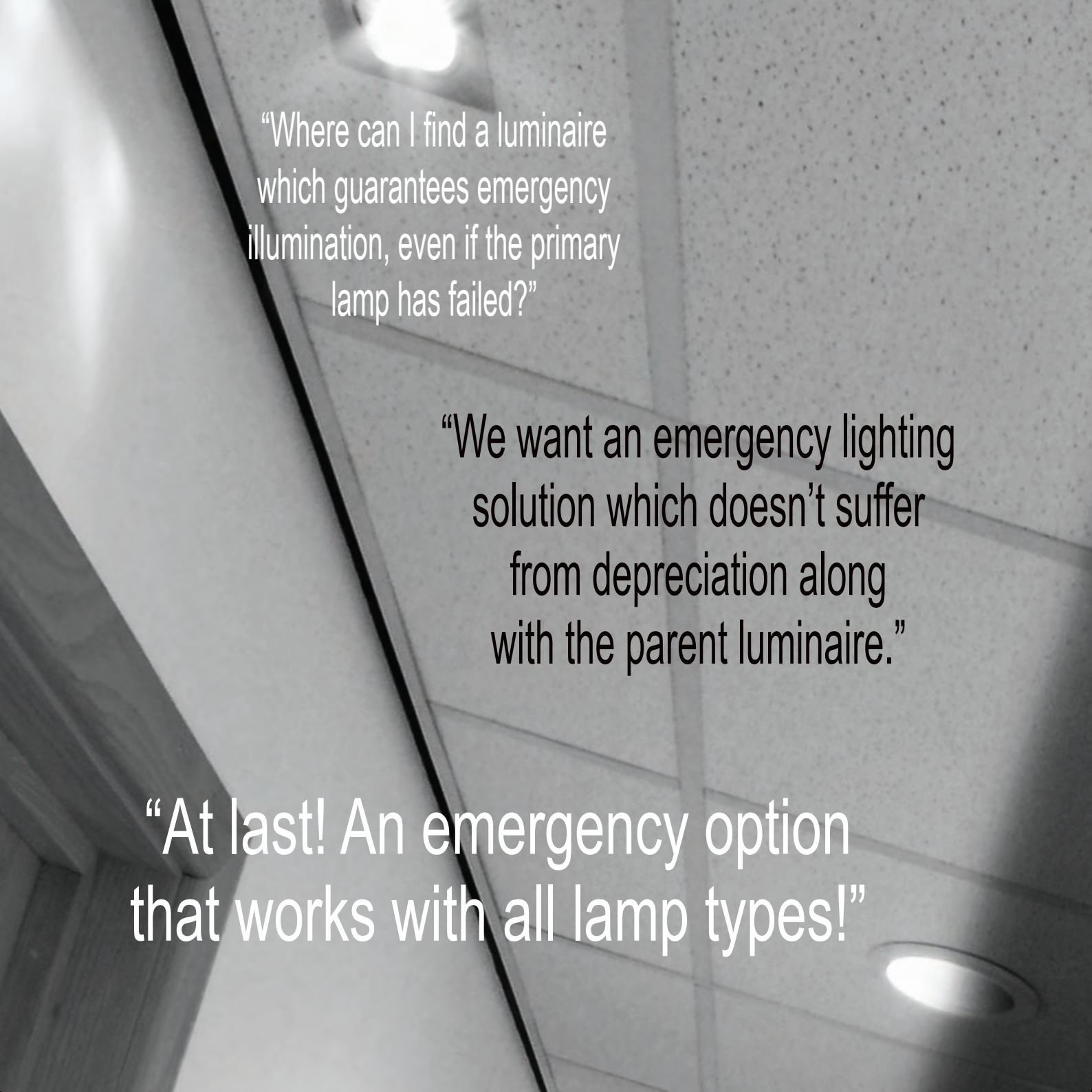
LEM are **L**ED **E**mergency **M**odules. They provide emergency illumination for up to 3 hours when mains power is lost or interrupted.

They have been designed to blend discreetly in to the architecture of a building, room or luminaire whilst maintaining the functionality to ensure the safe evacuation of a building when necessary.

How do they work?

The LEM head module incorporates two LEDs. One is a bi-colour healthy charge indicator which illuminates to identify that the system's status.

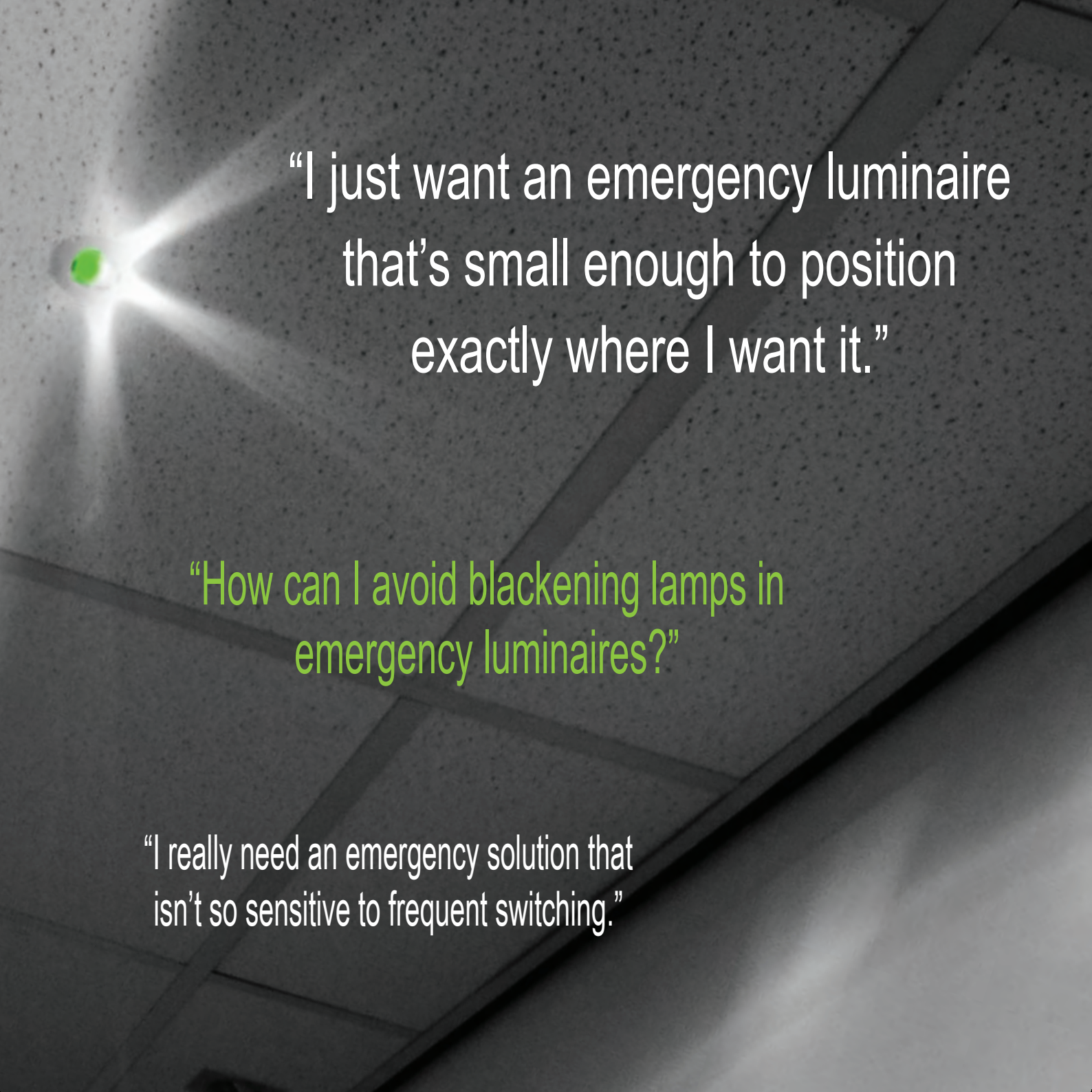
The second is a Luxeon Rebel power LED which is run at 3W and provides the emergency illumination when the mains power is lost. Both operate via an inverter and battery pack which can be passed through the ceiling cut-out or manufactured as an integral part of a parent luminaire.



“Where can I find a luminaire which guarantees emergency illumination, even if the primary lamp has failed?”

“We want an emergency lighting solution which doesn’t suffer from depreciation along with the parent luminaire.”

“At last! An emergency option that works with all lamp types!”

A small, circular green emergency luminaire is mounted on a dark, textured ceiling. A bright, white light beam emanates from the luminaire, creating a sharp, triangular glow. The background is a dark, speckled ceiling with a grid pattern.

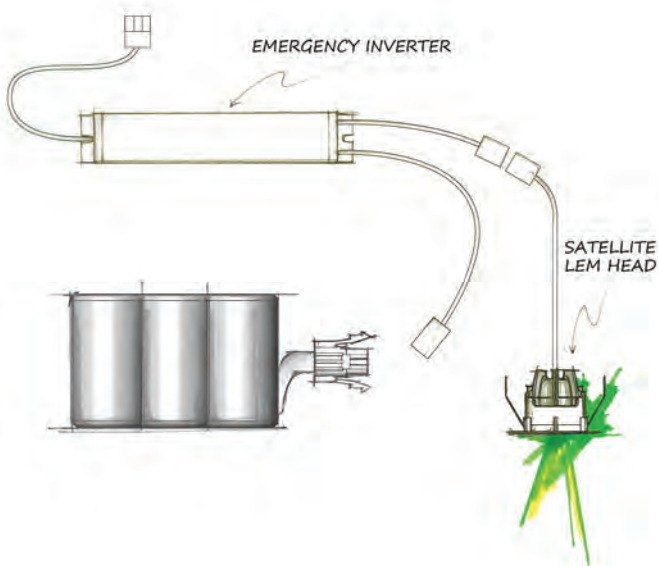
“I just want an emergency luminaire
that’s small enough to position
exactly where I want it.”

“How can I avoid blackening lamps in
emergency luminaires?”

“I really need an emergency solution that
isn’t so sensitive to frequent switching.”



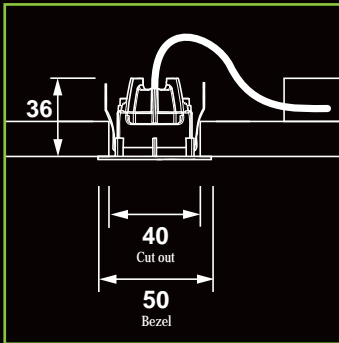
Shown actual size



Emergency Operation



Independent LEM



Features

- Independent stand-alone unit with Luxeon Rebel inside
- Thermally optimised die-cast body
- 3-cell 4.0Ah NiCAD batteries as standard
- 100% light output within 2 seconds
- 3 hour non-maintained operation
- 60° hazardous area lens available
- Self-test & EM-Pro options

For performance data, please see page 13

Ordering Information

3W Independent LEM 60° Remote - White

ILEM60/R

3W Independent LEM 110° Remote - White

ILEM110/R

Options

Self-Test - 3W

/S

EM-Pro - 2W (access to ceiling void required)

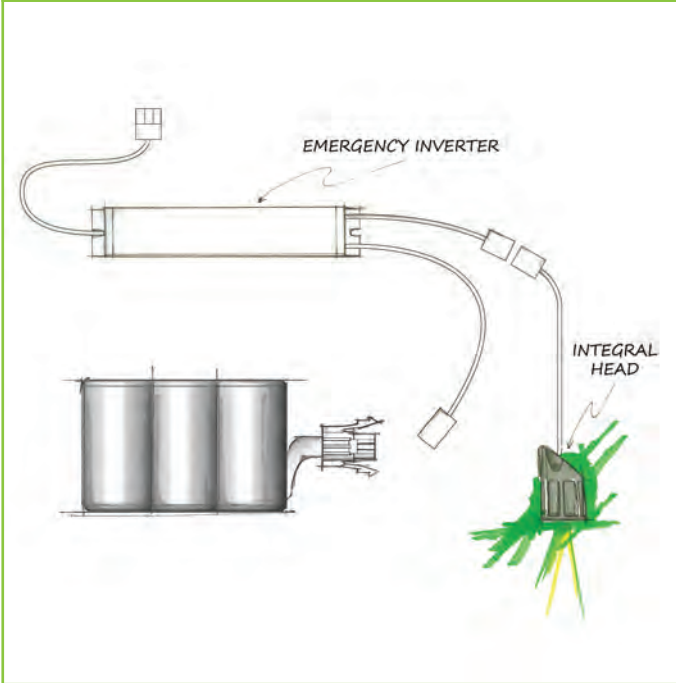
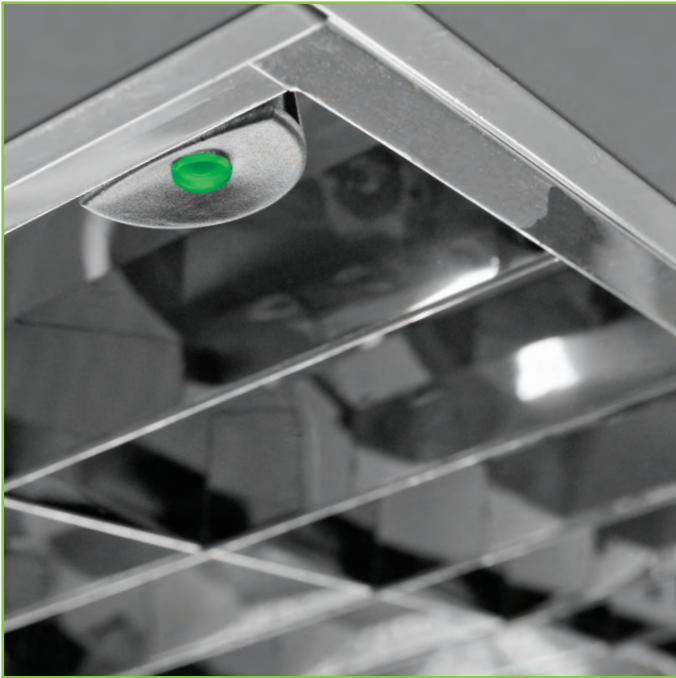
/P

Graphite

/G

NiMH batteries (to pass through cut-out)

/NIMH



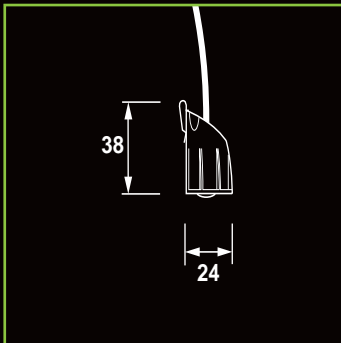
Converter LEM



Features

- Easy conversion of your own luminaires
- Retro-fits modulars, downlights & linear systems
- Patented design
- Luxeon Rebel inside
- 3-cell 4.0Ah NiCAD batteries as standard
- 2 fixing clip options
- 110° open area option available

For performance data, please see page 13



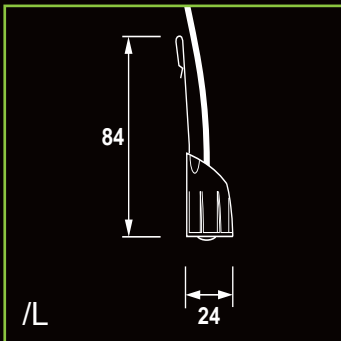
Ordering Information

3W Independent LEM 60° Converter

ILEM60

3W Independent LEM 110° Converter

ILEM110



Options

Self-Test Inverter - 3W

/S

EM-Pro Inverter - 2W

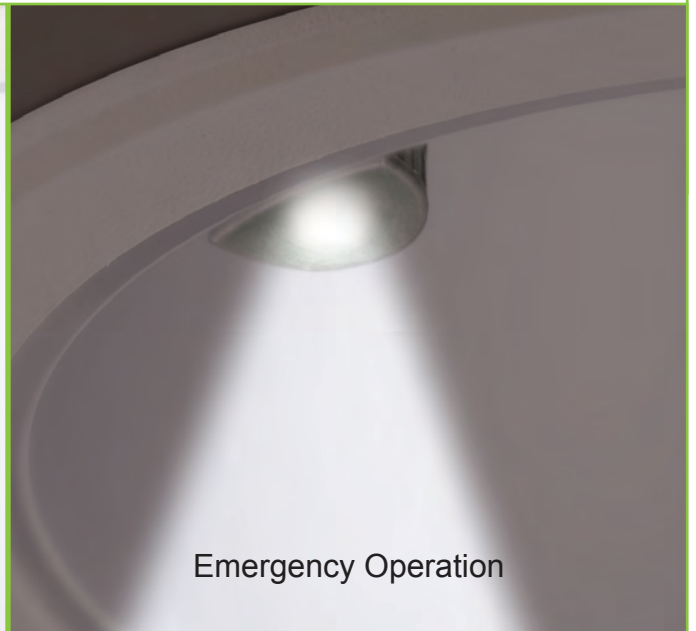
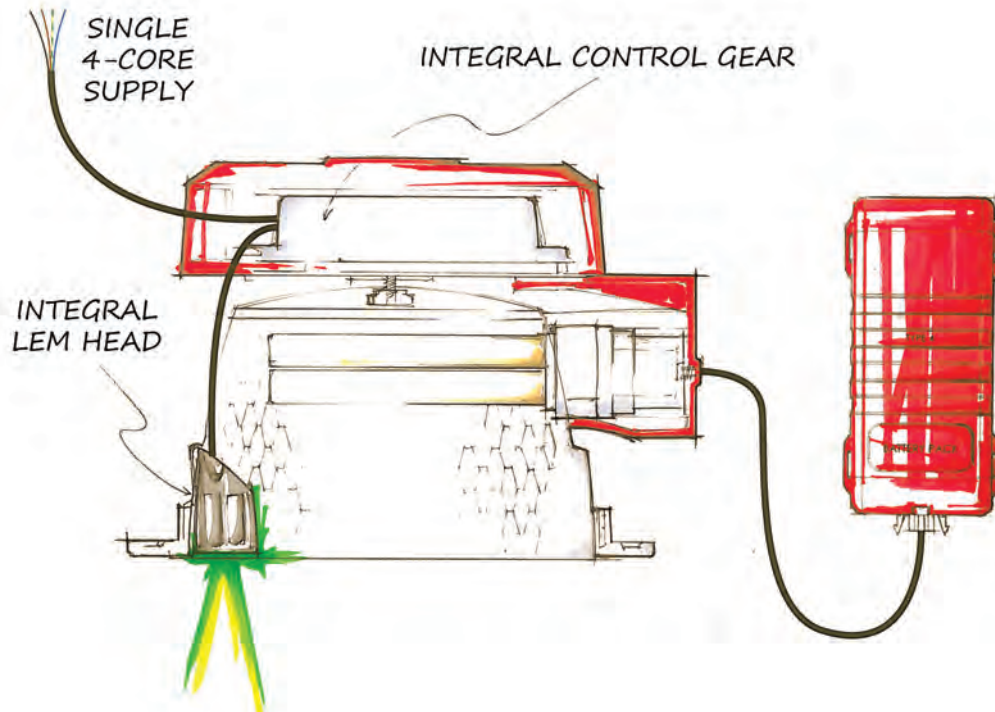
/P

Long clip

/L

NiMH batteries

/NIMH



Integral LEM - Integral Head

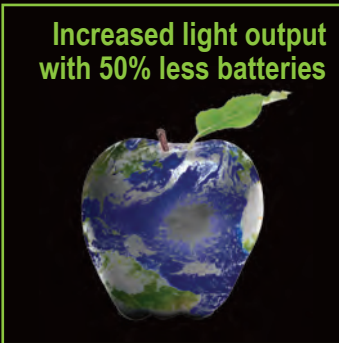
Reduces blackening
of lamps



Less susceptible to
frequent switching



Increased light output
with 50% less batteries



Features

- LED emergency conversion for Gamma's 192mm & 237mm CFL downlights
- Patented design
- 100% light output within 2 seconds
- 60° and 110° beam angle options

For performance data, please see page 13

Ordering Information

- 1 Add the required suffix to the Gamma luminaire code:

| | |
|-----------------------|--------------|
| LED emergency module | /LEM |
| Self-test inverter 3W | /LEMS |
| EM-Pro inverter 2W | /LEMP |

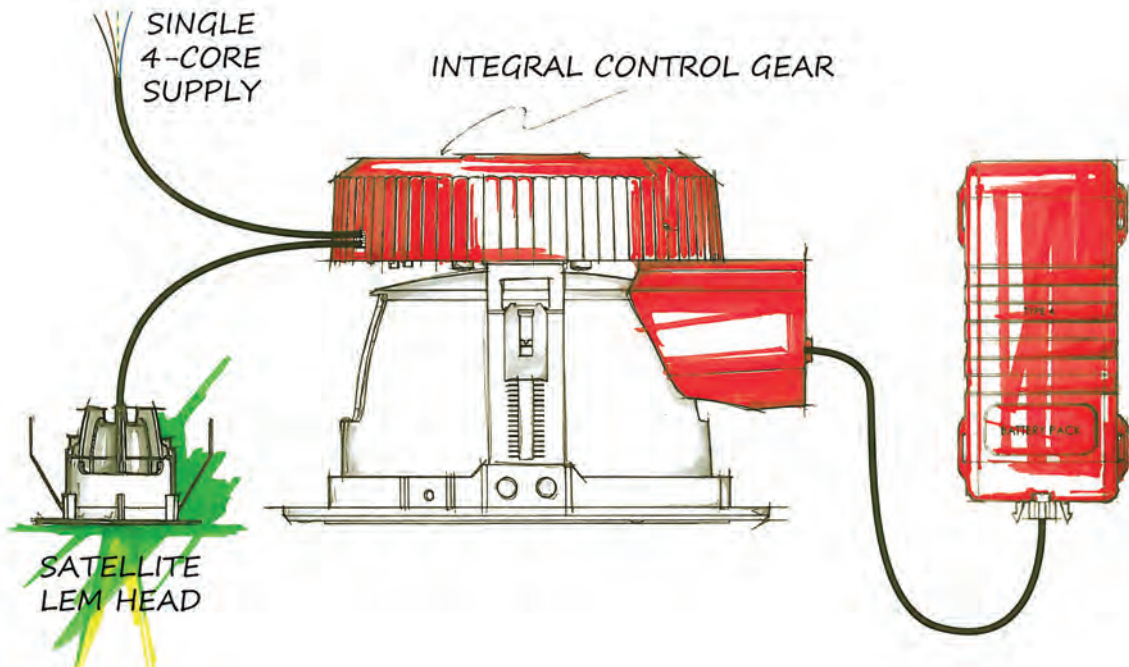
- 2 Choose LEM Head option:

| | |
|-----------------------------|---------------|
| Integral hazardous area 60° | LEM60 |
| Integral open area 110° | LEM110 |
| Long clip | /L |

Example

FFF2026-42/HF/LEM
LEM60/L

Note: Some dimming / LEM combinations may feature remote control gear



Normal Operation



Emergency Operation

Integral LEM - Satellite Head



Features

- LED emergency conversion for Gamma's 192mm & 237mm downlights
- Positioning freedom of EM light source
- Allows the use of accessories without sacrificing emergency performance
- Dramatically improved reliability over conventional emergency lamp types

For performance data, please see page 13



Ordering Information

- 1 Add the required suffix to the Gamma luminaire code:

| | |
|-----------------------|--------------|
| LED emergency module | /LEM |
| Self-test inverter 3W | /LEMS |
| EM-Pro inverter 2W | /LEMP |

- 2 Choose LEM Head option:

| | |
|------------------------------|-----------------|
| Satellite hazardous area 60° | LEM60/R |
| Satellite open area 110° | LEM110/R |

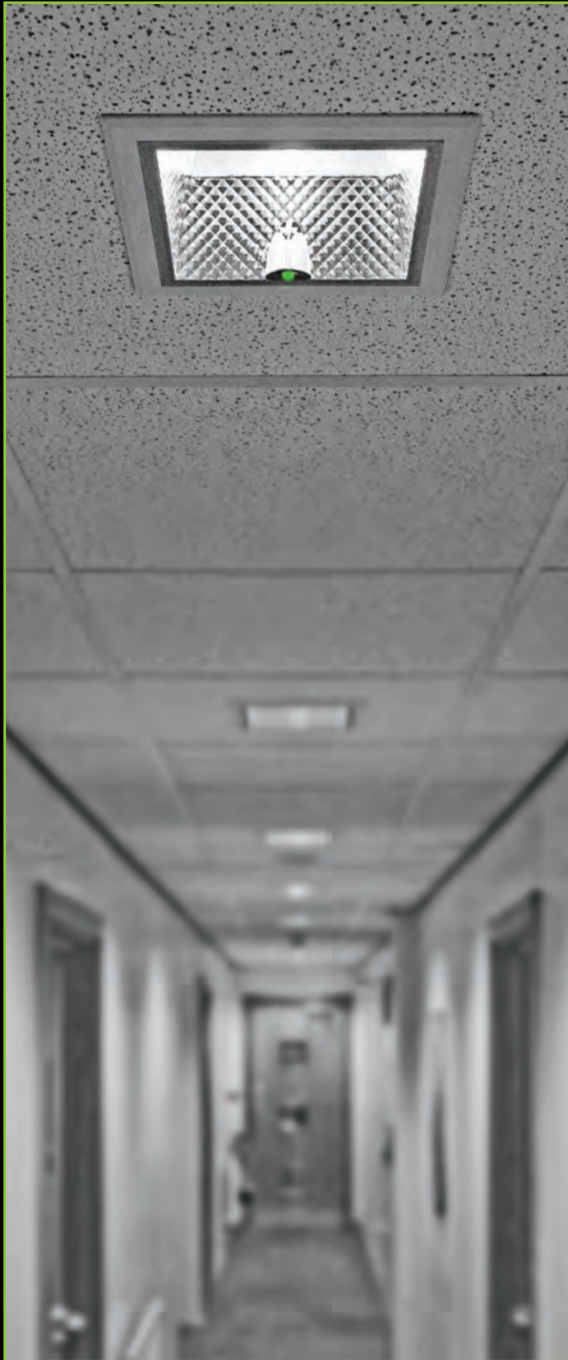
Example

FFF2026-42/HF/LEM

LEM60/R

Note: Some dimming / LEM combinations may feature remote control gear





Technical Specification

- 1 x Luxeon Rebel inside
- 1 x Bi-colour LED status indicator inside
- Thermally optimised die-cast body
- 6000K colour temperature
- 3W power consumption

Hazardous Area Lens

- 60° focused beam
- 131lm luminous flux
- Ideal for use over stairs, first aid stations, fire extinguisher locations etc.

Open Area LEM

- 110° broad beam distribution
 - 153lm luminous flux
 - Designed for general large open areas
-

LEM Performance

60° Peak Intensity

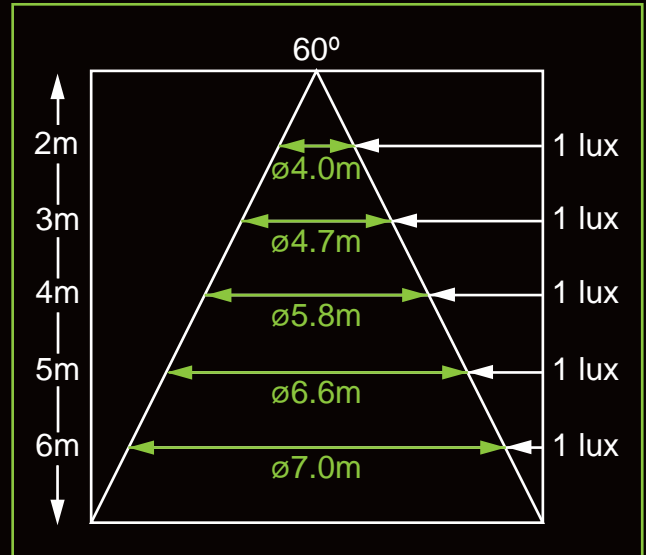
2m = 21.95 lux

3m = 9.67 lux

4m = 5.46 lux

5m = 3.50 lux

6m = 2.44 lux



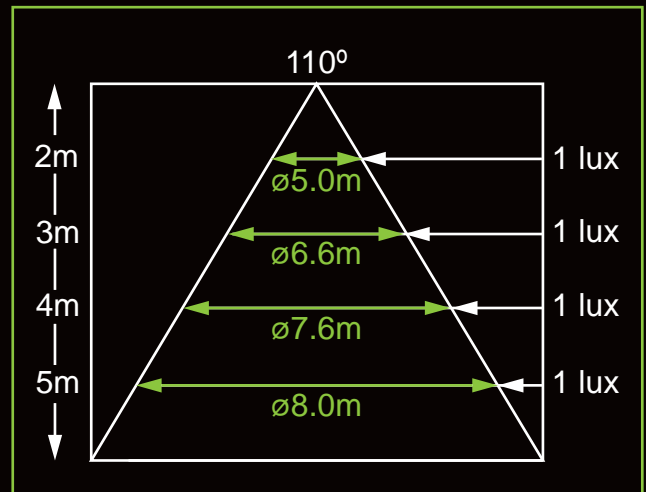
110° Peak Intensity

2m = 17.22 lux

3m = 7.61 lux

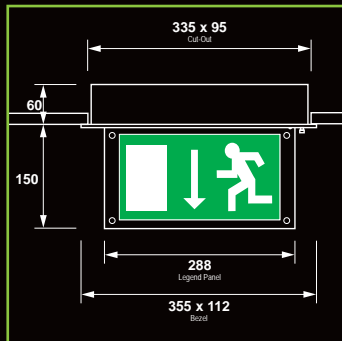
4m = 4.30 lux

5m = 2.75 lux





LED Signage - Recessed



Features

- EN 60598.2.22 compliant legends
- 15 high output LEDs
- Maintained or non-maintained operation
- Custom designed signage available
- Supplied with “Arrow Down” legend
- Self-test & Chrome finish options

Ordering Information

Recessed LED exit sign

LXS001

Options

Chrome finish

/CH

Self-Test upgrade

/S

Reversible “Arrow Left / Right” legend

LXSLR

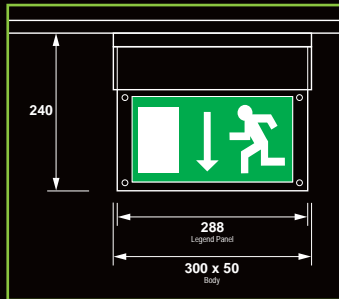


LED Signage - Surface



Features

- Contemporary styled LED exit sign
- Maintained or non-maintained operation
- 15 high output LEDs
- EN 60598.2.22 compliant legends
- Wall or ceiling mounting versions



Ordering Information

Ceiling mounted LED exit sign

LXS002

Wall mounted LED exit sign

LXS003

Options

Self-Test upgrade

/S

Reversible "Arrow Left / Right" legend

LXSLR



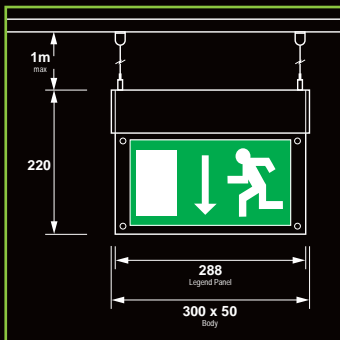


LED Signage - Suspended



Features

- Adjustable 1m suspension system
- EN 60598.2.22 compliant legends
- Supplied with “Arrow Down” legend
- 15 high output LEDs
- Maintained or non-maintained operation



Ordering Information

Suspended LED exit sign

LXS004

Options

Self-Test upgrade

/S

Reversible “Arrow Left / Right” legend

LXSLR

DESIGN

DEVELOP

CREATE

Brochures Also Available



Great White Solid State Lighting

Downlights powered by Fortimo LEDs, including colour changing, emergency & dimming options



TTX LED Luminaires

Downlights with a range of decorative accessories, powered by Xicato LEDs, including emergency & dimming options



Liteideas
1 The Courtyards
Victoria Road
Seacroft
Leeds
LS14 2LB

Tel: 0113 265 2651

Fax: 0113 265 2652

E-mail: liteideas@litetask.co.uk

Web: www.litetask.co.uk